

Katrin Plus System Toilet 800

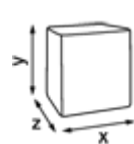


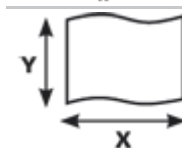


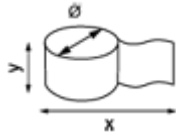



66940

- Soft effective quality toilet paper
- 2-Ply, white
- For use with Katrin System Toilet Dispenser
- Very large roll size (800 sheets) and dispenser holds 2 rolls
- Suitable for high traffic areas
- Controlled dispensing, and self presenting sheets reduce consumption and improve hygiene
- All Katrin toilet papers are made from high quality fibers and have been proven, via dissolving tests, to break down within 90 seconds
- Certified under the Nordic Swan Eco Label



 ISO9001 ISO14001

Product / Consumer pack

	x 135 mm y 99 mm z 135 mm		White		0.3 kg
	x 120 mm y 99 mm		2		2 x 15 g/m ²
			Ø 135 y 99 mm x 96 m		800
			Ø 45 mm		6414301066957

Transport pack

	x 410 mm y 418 mm z 410 mm		0		11.62 kg
			36		6414301066940

Transport pallet

	x 800 mm y 2240 mm z 1200 mm		30		374.025 kg
---	------------------------------------	---	----	---	------------

Related products



90144
**Katrin Inclusive
System Toilet
Dispenser With
Core Catcher -
White**



92049
**Katrin Inclusive
System Toilet
Dispenser With
Core Catcher -
Black**



104582
**Katrin Inclusive
System Toilet
Dispenser - White**



104605
**Katrin Inclusive
System Toilet
Dispenser - Black**